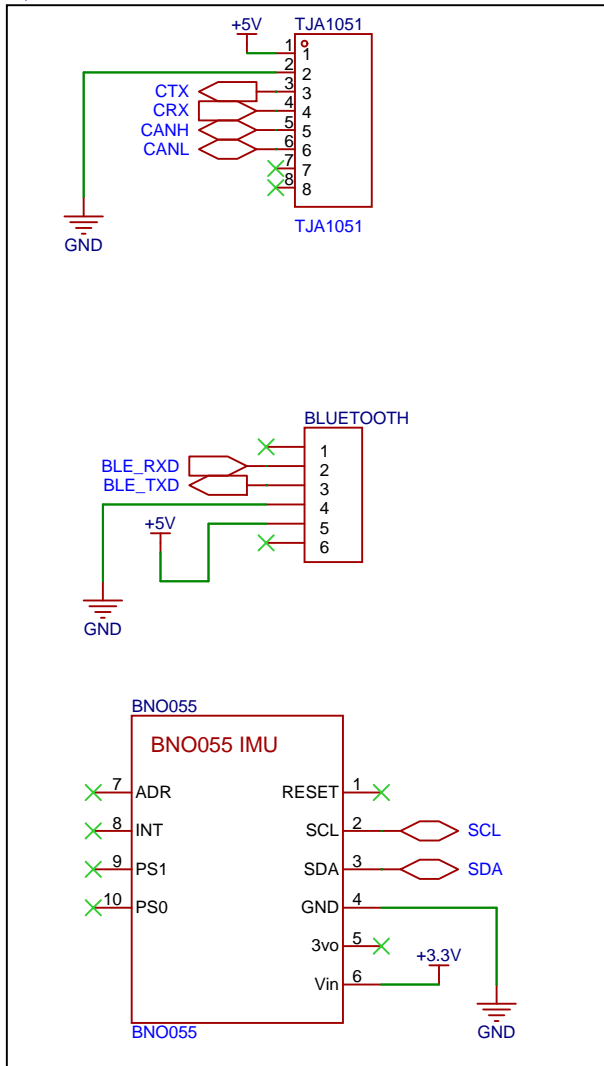


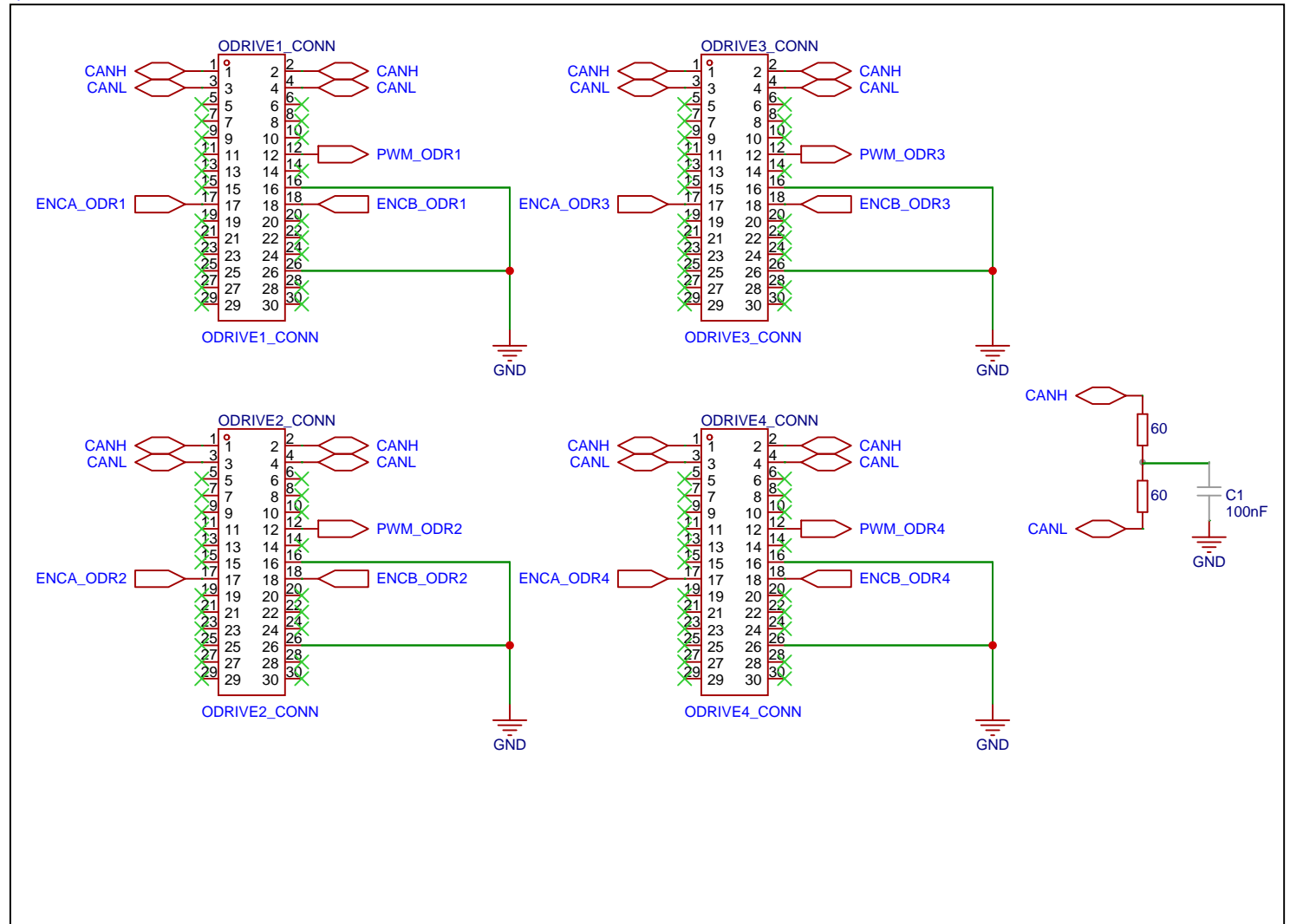
STM32H755

Schematic	Schematic1			Create at	2026-03-09
Board	Board1			Update at	2026-03-10
Drawn	Ximena Trejo	Base Omni Shield			
Reviewed					
		Version	Size	Page 1 Total 2	
		V1.0	A4	EasyEDA.com	

PERIFERICOS



ODRIVE_CONNECTORS_AND_CAN



Schematic	Schematic1			Create at	2026-03-09
Board	Board1			Update at	2026-03-10
Drawn				Page	P2
Reviewed				Base Omni Shield	
	Version	Size	Page 2 Total 2		
		V1.0	A4	EasyEDA.com	